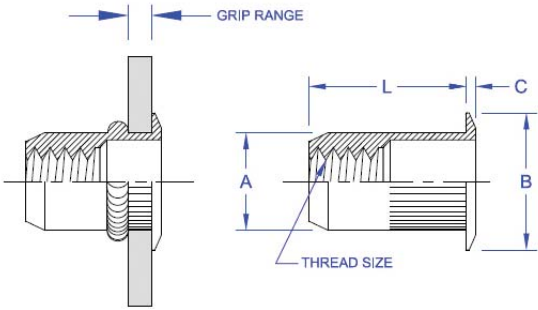
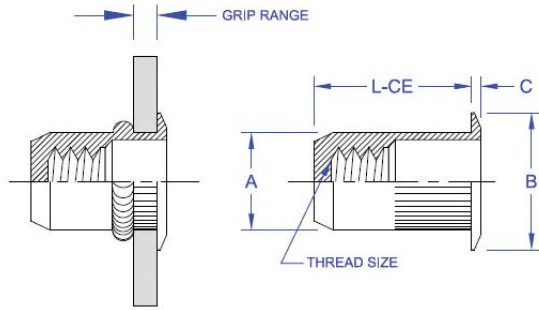


IKF SERIES® - LOW PROFILE HEAD, KNURLED BODY THINWALL AMERICAN STANDARD RIVETNUTS

OPEN END



CLOSED END



INCH

| PART CODE | THREAD SIZE | GRIP CODE | GRIP RANGE | L LENGTH +/- .015 | L-CE LENGTH +/- .015 | B HEAD DIA +/- .010 | C HEAD HT +/- .003 | A BODY DIA MAX | HOLE SIZE +.006/- .000 |
|-----------|-------------|-----------|-------------|----------------------|-------------------------|------------------------|-----------------------|-------------------|---------------------------|
| 6C1IKF | 6-32 UNC | #1 | .020 - .080 | .420 | .740 | .390 | .030 | .265 | .266 |
| 6C2IKF | 6-32 UNC | #2 | .080 - .130 | .470 | .740 | .390 | .030 | .265 | .266 |
| 8C1IKF | 8-32 UNC | #1 | .020 - .080 | .420 | .740 | .390 | .030 | .265 | .266 |
| 8C2IKF | 8-32 UNC | #2 | .080 - .130 | .470 | .740 | .390 | .030 | .265 | .266 |
| 10C1IKF | 10-24 UNC | #1 | .020 - .130 | .475 | .990 | .415 | .030 | .296 | .297 |
| 10C2IKF | 10-24 UNC | #2 | .130 - .225 | .585 | .990 | .415 | .030 | .296 | .297 |
| 10F1IKF | 10-32 UNF | #1 | .020 - .130 | .475 | .990 | .415 | .030 | .296 | .297 |
| 10F2IKF | 10-32 UNF | #2 | .130 - .225 | .585 | .990 | .415 | .030 | .296 | .297 |
| 25C1IKF | 1/4-20 UNC | #1 | .027 - .165 | .580 | 1.190 | .500 | .030 | .390 | .391 |
| 25C2IKF | 1/4-20 UNC | #2 | .165 - .260 | .680 | 1.190 | .500 | .030 | .390 | .391 |
| 25F1IKF | 1/4-28 UNF | #1 | .027 - .165 | .580 | 1.190 | .500 | .030 | .390 | .391 |
| 25F2IKF | 1/4-28 UNF | #2 | .165 - .260 | .680 | 1.190 | .500 | .030 | .390 | .391 |
| 31C1IKF | 5/16-18 UNC | #1 | .027 - .150 | .690 | 1.390 | .685 | .035 | .530 | .531 |
| 31C2IKF | 5/16-18 UNC | #2 | .150 - .312 | .805 | 1.390 | .685 | .035 | .530 | .531 |
| 31F1IKF | 5/16-24 UNF | #1 | .027 - .150 | .690 | 1.390 | .685 | .035 | .530 | .531 |
| 31F2IKF | 5/16-24 UNF | #2 | .150 - .312 | .805 | 1.390 | .685 | .035 | .530 | .531 |
| 37C1IKF | 3/8-16 UNC | #1 | .027 - .150 | .690 | 1.390 | .685 | .035 | .530 | .531 |
| 37C2IKF | 3/8-16 UNC | #2 | .150 - .312 | .805 | 1.390 | .685 | .035 | .530 | .531 |
| 37F1IKF | 3/8-24 UNC | #1 | .027 - .150 | .690 | 1.390 | .685 | .035 | .530 | .531 |
| 37F2IKF | 3/8-24 UNC | #2 | .150 - .312 | .805 | 1.390 | .685 | .035 | .530 | .531 |
| 50C1IKF | 1/2-13 UNC | #1 | .062 - .200 | 1.150 | 2.365 | .865 | .047 | .685 | .687 |
| 50C2IKF | 1/2-13 UNC | #2 | .200 - .350 | 1.300 | 2.365 | .865 | .047 | .685 | .687 |
| 50C3IKF | 1/2-13 UNC | #3 | .350 - .500 | 1.450 | 2.365 | .865 | .047 | .685 | .687 |



THE PART NUMBER IS COMPLETE BY ADDING THE MATERIAL AND FINISH CODES AS A SUFFIX TO THE PART CODE:

MATERIAL/ FINISH CODES: **SY** = Steel, Zinc Yellow ROHS †
SZ = Steel, Zinc Clear ROHS
SC = Steel, Cad Yellow Plated
AP = Aluminum, Plain †
3P = 18-8 Stainless Steel, Plain †

EXAMPLE:
 Part Code 6C1IKF in Steel, Zinc Yellow Plating is...
 6C1IKFSY

† Indicates stocked configurations

