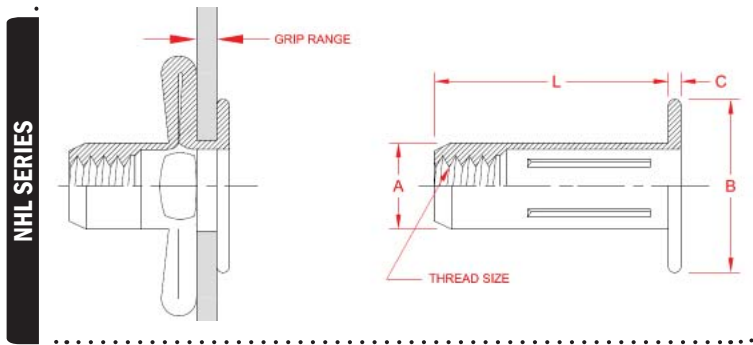


IPB & IPN SERIES™ - QUADRAFOLD™ RIVETNUT PRE-BULBED & STRAIGHT SHANK QUAD FOLDING RIVETNUTS

The RivetKing IPB and IPN Series Rivetnuts do what traditional rivet nuts cannot. This series is designed for soft materials such as plastics, fiberglass and thin sheet metal where increased pullout resistance is required. The fastener performance is dictated by the four folding times that are extended during the riveting process. The result is an upset of metal that is nearly three times the diameter of the hole. This series is offered in both pre-bulbed & straight shank versions. The pre-bulbed version is designed to work with spin-spin tools, while the straight shank version is designed to work with spin-pull tools only.



INCH	PART CODE (Pre-Bulbed)	PART CODE (Straight Shank)	THREAD SIZE (INCH)	GRIP CODE	GRIP RANGE	LENGTH Max.	HEAD DIA Max.	HEAD HEIGHT +/- .005	BODY DIA. Max.	HOLE SIZE +.006/- .000
		10C1IPB	10C1IPN*	10-24 UNC	#1	.020 - .175	.843	.510	.038	.329 (.272)*
	10C2IPB	10C2IPN*	10-24 UNC	#2	.175 - .320	.936	.510	.038	.329 (.272)*	.336 (.273)*
	10F1IPB	10F1IPN*	10-32 UNF	#1	.020 - .175	.843	.510	.038	.329 (.272)*	.336 (.273)*
	10F2IPB	10F2IPN*	10-32 UNF	#2	.175 - .320	.936	.510	.038	.329 (.272)*	.336 (.273)*
	25C1IPB	25C1IPN*	1/4-20 UNC	#1	.020 - .280	1.015	.645	.059	.382 (.346)*	.390 (.347)*
	25C2IPB	25C2IPN*	1/4-20 UNC	#2	.280 - .500	1.249	.645	.059	.382 (.346)*	.390 (.347)*
	31C1IPB	31C1IPN*	5/16-18 UNC	#1	.020 - .280	1.156	.770	.062	.495 (.437)*	.500 (.438)*
	31C2IPB	31C2IPN*	5/16-18 UNC	#2	.280 - .500	1.390	.770	.062	.495 (.437)*	.500 (.438)*

METRIC	PART CODE (Pre-Bulbed)	PART CODE (Straight Shank)	THREAD SIZE (INCH)	GRIP CODE	GRIP RANGE	LENGTH Max.	HEAD DIA Max.	HEAD HEIGHT +/- 0.13	BODY DIA. Max.	HOLE SIZE +0.15/- .000
		.50C1IPB	.50F1IPN*	M5	#1	0.50 - 4.45	21.41	12.95	0.96	8.35 (7.47)*
	.50F2IPB	.50F2IPN*	M5	#2	4.45 - 8.10	24.18	12.95	0.96	8.35 (7.47)*	8.55 (7.48)*
	.60C1IPB	.60C1IPN*	M6	#1	0.50 - 7.10	25.78	16.38	1.50	9.70 (8.79)*	10.00 (8.80)*
	.60C2IPB	.60C2IPN*	M6	#2	7.10 - 12.70	31.70	16.38	1.50	9.70 (8.79)*	10.00 (8.80)*
	.80C1IPB	.80C1IPN*	M8	#1	0.50 - 7.10	29.33	19.65	1.57	12.57 (11.10)*	12.70 (11.11)*
	.80C2IPB	.80C2IPN*	M8	#2	7.10 - 12.70	35.28	19.65	1.57	12.57 (11.10)*	12.70 (11.11)*



THE PART NUMBER IS COMPLETE BY ADDING THE MATERIAL AND FINISH CODES AS A SUFFIX TO THE PART CODE:

MATERIAL/FINISH CODES: SY = Steel, Zinc Yellow ROHS †
SZ = Steel, Zinc Clear ROHS
SC = Steel, Cad Yellow Plated
SZN = Steel, Zinc Nickel 800 Hours

EXAMPLE:
Part Code 6C1IPB in Steel, Zinc Yellow Plating is...
6C1IPBSY

† Indicates stocked configurations