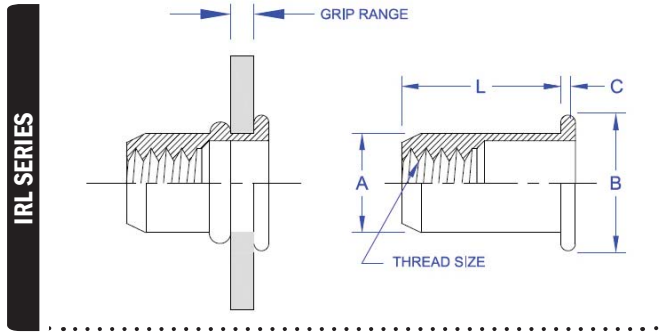


IRL SERIES™ - LARGE HEAD, HEAVY DUTY, SMOOTH BODY THICKWALL AMERICAN STANDARD RIVETNUTS - FOR HEAVY DUTY APPLICATIONS

The RivetKing IRL Series is a heavywall/thickwall Rivetnut. This robust design upgrades the thickness of both the body and the head height. The robust IRL series offers higher pullout resistance and increased enurance of the joint and assembly. Spin-Pull tools are recommended for installation of IRL series rivetnuts.



PART CODE	THREAD SIZE (INCH)	GRIP CODE	GRIP RANGE	LENGTH +/- .015	HEAD DIA +/- .015	HEAD HEIGHT Nominal	BODY DIA. +.000/- .004	HOLE SIZE +.003/- .000
4C1IRL	4-40 UNC	#1	.010 - .060	.345	.270	.025	.155	.155
4C2IRL	4-40 UNC	#2	.060 - .085	.370	.270	.025	.155	.155
4C3IRL	4-40 UNC	#3	.085 - .110	.400	.270	.025	.155	.155
6C1IRL	6-32 UNC	#1	.010 - .075	.438	.325	.032	.189	.189
6C2IRL	6-32 UNC	#2	.075 - .120	.500	.325	.032	.189	.189
6C3IRL	6-32 UNC	#3	.120 - .160	.500	.325	.032	.189	.189
8C1IRL	8-32 UNC	#1	.010 - .075	.438	.357	.032	.221	.221
8C2IRL	8-32 UNC	#2	.075 - .120	.500	.357	.032	.221	.221
8C3IRL	8-32 UNC	#3	.120 - .160	.500	.357	.032	.221	.221
10C1IRL	10-24 UNC	#1	.010 - .080	.531	.406	.038	.250	.250
10C2IRL	10-24 UNC	#2	.080 - .130	.594	.406	.038	.250	.250
10C3IRL	10-24 UNC	#3	.130 - .180	.641	.406	.038	.250	.250
10F1IRL	10-32 UNF	#1	.010 - .080	.531	.406	.038	.250	.250
10F2IRL	10-32 UNF	#2	.080 - .130	.594	.406	.038	.250	.250
10F3IRL	10-32 UNF	#3	.130 - .180	.641	.406	.038	.250	.250
25C1IRL	1/4-20 UNC	#1	.020 - .080	.625	.475	.058	.332	.332
25C2IRL	1/4-20 UNC	#2	.080 - .140	.687	.475	.058	.332	.332
25C3IRL	1/4-20 UNC	#3	.140 - .200	.750	.475	.058	.332	.332
31C1IRL	5/16-18 UNC	#1	.030 - .125	.750	.665	.062	.413	.413
31C2IRL	5/16-18 UNC	#2	.125 - .200	.875	.665	.062	.413	.413
31C3IRL	5/16-18 UNC	#3	.200 - .275	.937	.665	.062	.413	.413
37C1IRL	3/8-16 UNC	#1	.030 - .125	.844	.781	.088	.490	.490
37C2IRL	3/8-16 UNC	#2	.125 - .200	.938	.781	.088	.490	.490
37C3IRL	3/8-16 UNC	#3	.200 - .275	1.031	.781	.088	.490	.490
50C1IRL	1/2-13 UNC	#1	.050 - .150	.906	.906	.085	.625	.625
50C2IRL	1/2-13 UNC	#2	.150 - .250	1.031	.906	.085	.625	.625
50C3IRL	1/2-13 UNC	#3	.250 - .350	1.141	.906	.085	.625	.625

THE PART NUMBER IS COMPLETE BY ADDING THE MATERIAL AND FINISH CODES AS A SUFFIX TO THE PART CODE:

MATERIAL/FINISH CODES: SY = Steel, Zinc Yellow ROHS †
 SZ = Steel, Zinc Clear ROHS †
 SC = Steel, Cad Yellow Plated
 AP = Aluminum, Plain †
 3P = 18-8 Stainless Steel, Plain †

EXAMPLE:
 Part Code 6C1IRL in Steel, Zinc Yellow Plating is...
 6C1IRLSZ

† Indicates stocked configurations

