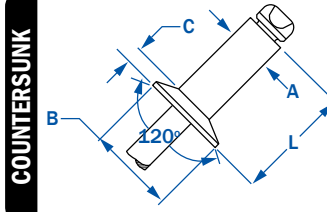
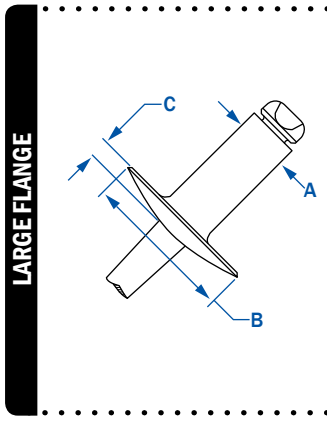
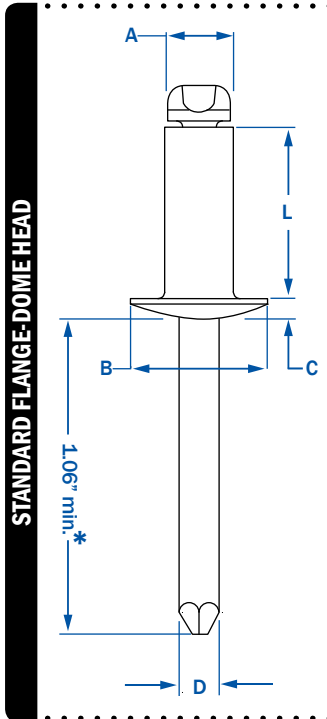


RIVETKING® FBS SERIES - STAINLESS/STEEL RIVETS - OPEN END

RIVET: 18-8 SERIES STAINLESS STEEL • MANDREL: STEEL TRIVALENT ZINC PLATED

INDUSTRIAL RIVET STAINLESS STEEL/STEEL BLIND RIVETS ARE AN ECONOMICAL ALTERNATIVE TO ALL STAINLESS STEEL RIVETS OFFERING SIMILAR CORROSION RESISTANCE, SHEAR STRENGTH AND TENSILE STRENGTHS. These rivets meet or exceed IFI 114, Grade 50 specifications. The rivet body is stainless steel alloy and the mandrel is steel and zinc plated with a clear chromate coating.

DIA.	PART NUMBER	GRIP RANGE	RIVET LENGTH	HEAD DIA.	HEAD HEIGHT	MANDREL DIA.	HOLE SIZE (DRILL #)	STRENGTH		Wt. lbs/M							
								SHEAR	TENSILE								
3/32"	FBS - 32	.020 - .125	.250	.188	.032	.057	.097 - .100 (#41)	230	280								
	FBS - 34	.126 - .250	.375														
	FBS - 41	.020 - .062	.212														
	FBS - 42	.063 - .125	.275														
1/8"	FBS - 43	.126 - .187	.337	.250	.040	.076	.129 - .133 (#30)	420	530	2.60							
	FBS - 44	.188 - .250	.400							3.00							
	FBS - 45	.251 - .312	.462							3.10							
	FBS - 46	.313 - .375	.525							3.20							
	FBS - 48	.376 - .500	.650							3.60							
	FBS - 52	.020 - .125	.300							.312	.050	.095	.160 - .164 (#20)	650	820	5.00	
FBS - 53	.126 - .187	.362	5.25														
FBS - 54	.188 - .250	.425	5.80														
FBS - 56	.251 - .375	.550															
3/16"	FBS - 58	.376 - .500	.675	.375	.060	.114	.192 - .196 (#11)	950	1200	7.40							
	FBS - 510	.501 - .625	.800							8.40							
	FBS - 62	.063 - .125	.325							8.80							
	FBS - 63	.126 - .187	.387							9.75							
	FBS - 64	.188 - .250	.450							11.00							
	FBS - 66	.251 - .375	.575							11.75							
	FBS - 68	.376 - .500	.700														
	FBS - 610	.501 - .625	.825														
	FBS - 612	.626 - .750	.950														
	FBS - 614	.751 - .875	1.075														
	FBS - 616	.876 - 1.000	1.200							22.00							
	1/4"	FBS - 84	.063 - .250							.500	.500	.080	.151	.257 - .261 (F)	1700	2100	
FBS - 86		.251 - .375	.625														
FBS - 88		.376 - .500	.750														
FBS - 810		.501 - .625	.875														
FBS - 812	.626 - .750	1.000															
1/8"	FBS - 42LF	.020 - .125	.275	.375	.065	.076	.129 - .133 (#30)	420	530	3.30							
	FBS - 43LF	.126 - .187	.337							3.50							
	FBS - 44LF	.188 - .250	.375							3.60							
	FBS - 45LF	.251 - .312	.462														
	FBS - 46LF	.313 - .375	.525														
	FBS - 52LF	.020 - .125	.300							.468	.075	.095	.160 - .164 (#20)	650	820		
	FBS - 53LF	.126 - .187	.362														
	FBS - 54LF	.188 - .250	.425														
	FBS - 56LF	.251 - .375	.550														
	3/16"	FBS - 58LF	.376 - .500							.675	.625	.092	.114	.192 - .196 (#11)	950	1200	10.67
		FBS - 62LF	.063 - .187							.375							11.33
		FBS - 64LF	.188 - .250							.450							11.67
FBS - 66LF		.251 - .375	.575	13.00													
FBS - 68LF		.376 - .500	.700	14.50													
FBS - 610LF		.501 - .625	.825														
FBS - 612LF		.626 - .750	.950														
FBS - 614LF		.751 - .875	1.075														
FBS - 616LF	.876 - 1.000	1.200															
1/8"	FCS - 42	.063 - .125	.275	.220	.031	.076	.129 - .133 (#30)	420	530	3.00							
	FCS - 43	.126 - .187	.337							3.10							
	FCS - 44	.188 - .250	.400							3.30							
	FCS - 54	.188 - .250	.425							.281	.040	.095	.160 - .164	650	820	5.36	
FCS - 64	.188 - .250	.450	7.60														
3/16"	FCS - 66	.251 - .375	.575	.350	.050	.114	.192 - .196 (#11)	950	1200	9.79							



* 1/4" Diameter rivets have a 1.250 mandrel length minimum.

1-800-BUY-RIVET

