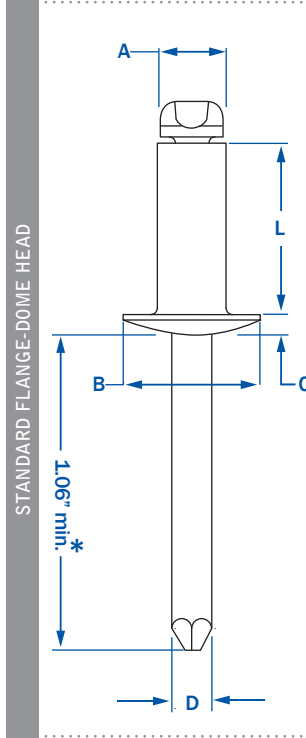


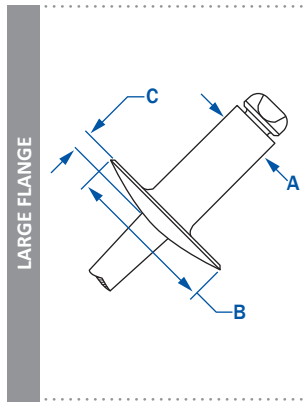
RivetKing® FBF Series · All Stainless Rivets · Open End

RIVET: 18-8 STAINLESS STEEL . MANDREL: 18-8 STAINLESS STEEL

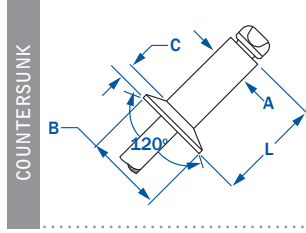
RIVETKING® ALL STAINLESS STEEL BLIND RIVETS ARE A SURE WAY TO AVOID RUST AND OXIDATION. Produced from the finest grade stainless steel materials and clean polished, the FBF series will look great and last a lifetime in the finished assembly. The mandrels are blunt diamond pointed to insure increased assembly speed and improving safety. The unique mandrel head shape assists in retaining the mandrel within the rivet. All Stainless Blind rivets rank #1 in shear and tensile strength when compared to others in its class. PER IFI-114 GRADE 51.



A DIA.	PART NUMBER	GRIP RANGE	L RIVET LENGTH	B HEAD DIA.	C HEAD HEIGHT	D MANDREL DIA.	HOLE SIZE (DRILL #)	STRENGTH		Wt. lbs/M
								SHEAR	TENSILE	
3/32"	FBF - 32	.020 - .125	.250	.188	.032	.057	.097 - .100 (#41)	230	280	1.53
	FBF - 34	.126 - .250	.375							1.73
1/8"	FBF - 41	.020 - .062	.212	.250	.040	.076	.129 - .133 (#30)	420	530	2.60
	FBF - 42	.063 - .125	.275							2.90
	FBF - 43	.126 - .187	.337							3.00
	FBF - 44	.188 - .250	.400							3.10
	FBF - 45	.251 - .312	.462							3.60
	FBF - 46	.313 - .375	.525							3.30
	FBF - 48	.376 - .500	.650							3.50
	FBF - 410	.501 - .625	.775							4.88
	FBF - 412	.626 - .750	.900							
	FBF - 42	.020 - .125	.300							.312
FBF - 53	.126 - .187	.362	5.13							
FBF - 54	.188 - .250	.425	5.25							
FBF - 56	.251 - .375	.550	5.83							
3/16"	FBF - 58	.376 - .500	.675	.375	.060	.114	.192 - .196 (#11)	950	1200	6.50
	FBF - 62	.020 - .125	.325							7.40
	FBF - 63	.126 - .187	.387							8.36
	FBF - 64	.188 - .250	.450							8.40
	FBF - 66	.251 - .375	.575							8.80
	FBF - 68	.376 - .500	.700							9.75
	FBF - 610	.501 - .625	.825							11.00
	FBF - 612	.626 - .750	.950							11.75
	FBF - 614	.751 - .875	1.075							14.62
	FBF - 616	.876 - 1.00	1.200							22.00
1/4"	FBF - 84	.020 - .250	.500	.500	.080	.151	.257 - .261 (F)	1700	2100	15.00
	FBF - 86	.251 - .375	.625							17.00
	FBF - 88	.376 - .500	.750							18.00
	FBF - 810	.501 - .625	.875							20.00
	FBF - 812	.626 - .750	1.000							20.50
	FBF - 814	.751 - .875	1.125							27.54
	FBF - 816	.876 - 1.00	1.250							28.56



1/8"	FBF - 42LF	.063 - .125	.275	.375	.065	.076	.129-.133 (#30)	420	530	3.30
	FBF - 43LF	.126 - .187	.337							3.50
	FBF - 44LF	.188 - .250	.400							3.60
	FBF - 46LF	.313 - .375	.525							4.72
	FBF - 48LF	.376 - .500	.650							4.72
5/32"	FBF - 52LF	.020 - .125	.300	.468	.075	.095	.160-.164 (#20)	650	820	
	FBF - 54LF	.188 - .250	.425							
	FBF - 56LF	.251 - .375	.550							
3/16"	FBF - 62LF	.020 - .125	.325	.625	.092	.114	.192-.196 (#11)	950	1200	10.67
	FBF - 64LF	.188 - .250	.450							11.33
	FBF - 66LF	.251 - .375	.575							11.67
	FBF - 68LF	.376 - .500	.700							13.00
	FBF - 610LF	.501 - .625	.825							14.50
	FBF - 612LF	.626 - .750	.950							17.34
	FBF - 614LF	.751 - .875	1.075							18.36
1/4"	FBF - 88LF	.376 - .500	.750	.750	1.07	.151	.257 - .261	1700	2100	



1/8"	FCF - 42	.063 - .125	.275	.220	.031	.076	.129 - .133 (#30)	420	530	3.00
	FCF - 43	.126 - .187	.337							3.10
	FCF - 44	.188 - .250	.400							3.30
5/32"	FCF - 54	.188 - .250	.425	.281	.040	.095	.160 - .164	650	820	5.36
3/16"	FCF - 64	.188 - .250	.450	.350	.050	.114	.192 - .196 (#11)	950	1200	7.60
	FCF - 66	.251 - .375	.575							9.79

* 1/4" Diameter rivets have a 1.250 mandrel length minimum.