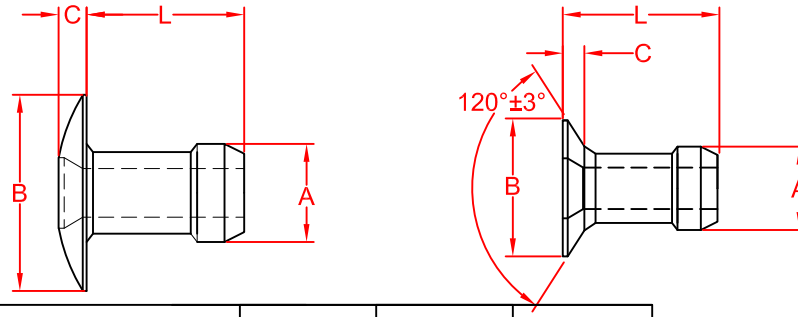


# RIVETKING ZIPRIV® QUICKRIVETING SYSTEM

## DOME HEAD & COUNTERSUNK HEAD

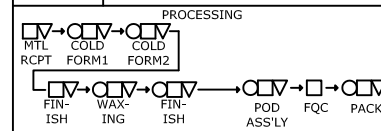
### TS-16949 PRODUCED, ROHS COMPLIANT



PART NUMBER	GRIP RANGE	PCS/POD ±1	LENGTH MAX.	SUGGESTED HOLE Ø BY MANDREL				"A"		"S"		"B"		"E"							
				BODY Ø MAX.	HEAD Ø MAX.	HEAD HT. MAX.	STANDARD GREEN	#1 O.S. YELLOW	#2 O.S. BLUE	#3 O.S. RED	5056 ALUMINUM SHEAR TYP.	100% <sup>10</sup> / <sub>10</sub> STEEL TENSILE TYP.	260 <sup>20</sup> / <sub>270</sub> BRASS SHEAR TYP.	302 <sup>20</sup> / <sub>304</sub> STAINLESS TENSILE TYP.							
DOME HEAD	3/32"	DZ-0304	.045 - .095	65	.161																
		DZ-0306	.085 - .135	52	.200																
		DZ-0308	.126 - .173	44	.240	.093	.167	.038	.096	.100	.104	N/A	55 lbsF	85 lbsF	N/A	N/A	85 lbsF	175 lbsF	N/A	N/A	
		DZ-0310	.165 - .213	38	.280				.096	.093	.101	N/A									
	1/8"	DZ-0312	.205 - .252	34	.319																
		DZ-0314	.244 - .295	30	.358																
		DZ-0403	.025 - .075	64	.161																
		DZ-0404	.045 - .095	58	.172																
		DZ-0405	.065 - .115	50	.192																
		DZ-0406	.085 - .135	48	.212																
		DZ-0408	.125 - .175	42	.252	.1235	.248	.039	.1315	.1365	.1415	N/A	160 lbsF	280 lbsF	245 lbsF	400 lbsF	225 lbsF	385 lbsF	290 lbsF	445 lbsF	
		DZ-0410	.165 - .215	37	.292				.1285	.1335	.1385	N/A									
DOME HEAD	3/32"	DZ-0412	.205 - .255	33	.332																
		DZ-0414	.245 - .295	30	.372																
		DZ-0416	.272 - .295	28	.394																
		DZ-0505	.062 - .115	52	.193																
	1/8"	DZ-0506	.085 - .135	47	.213																
		DZ-0507	.105 - .155	44	.233																
		DZ-0509	.145 - .195	38	.273	.153	.315	.041	.1592	.1642	.1692	N/A	245 lbsF	380 lbsF	355 lbsF	625 lbsF	375 lbsF	555 lbsF	535 lbsF	785 lbsF	
		DZ-0511	.185 - .235	34	.313				.1562	.1612	.1662	N/A									
		DZ-0513	.225 - .275	30	.353																
		DZ-0515	.244 - .291	28	.373																
		3/16"	DZ-0606	.065 - .130	46	.212															
			DZ-0607	.080 - .155	42	.240															
DZ-0609	.145 - .205		35	.290																	
DZ-0611	.195 - .255		31	.340	.1875	.374	.047	.194	.199	.204	.206	310 lbsF	445 lbsF	495 lbsF	830 lbsF	465 lbsF	725 lbsF	785 lbsF	1145 lbsF		
DZ-0613	.245 - .305		27	.390				.191	.196	.201	.203										
DZ-0615	.295 - .355		24	.440																	
DZ-0617	.345 - .405		22	.490																	
DZ-0619	.395 - .433		21	.530																	
COUNTERSUNK HEAD	3/32"	CZ-0304	.063 - .106	72	.170																
		CZ-0305	.100 - .145	57	.208	.0925	.156	.025	.0960	.1010	.1030	N/A	40 lbsF	50 lbsF	80 lbsF	120 lbsF	N/A	N/A	N/A	N/A	
		CZ-0306	.138 - .185	48	.249				.0925	.0955	.0985	N/A									
		CZ-0307	.178 - .224	41	.287																
	1/8"	CZ-0403	.057 - .067	70	.165																
		CZ-0405	.050 - .090	70	.170																
		CZ-0406	.060 - .110	65	.188																
		CZ-0407	.100 - .150	52	.228	.1235	.213	.028	.1315	.1365	.1415	N/A	155 lbsF	220 lbsF	200 lbsF	355 lbsF	N/A	N/A	N/A	N/A	
		CZ-0408	.140 - .190	44	.268				.1285	.1335	.1385	N/A									
		CZ-0410	.180 - .230	38	.308																
		CZ-0411	.220 - .270	33	.348																
		CZ-0505	.062 - .115	58	.205																
3/32"	CZ-0506	.086 - .135	54	.224																	
	CZ-0507	.105 - .155	49	.244	.153	.240	.041	.1592	.1642	.1692	N/A	245 lbsF	380 lbsF	355 lbsF	625 lbsF	N/A	N/A	N/A	N/A		
	CZ-0509	.145 - .195	42	.283				.1562	.1612	.1662	N/A										
	CZ-0511	.185 - .155	36	.323																	
	CZ-0513	.225 - .275	32	.364																	

NOTE: HEAD HEIGHT TOLERANCE FOR FDZ SERIES IS INCREASED BY .005"

DRAWN: SBS		DATED: 1-1-2009		CHECKED: AV		SHEET 1 OF 1		SURFACE TREATMENT: STEEL: ZINC PLATED Cr3+ ROHS & WAX ALL OTHERS: CLEAN & WAX	
DESCRIPTION:		ZIPRIV® QUICKRIVETING SYS. DOME & COUNTERSUNK HEAD		ADDED 0405		UPDATED STRENGTHS		CORRECTED BODY & HTS	
LIMITS UNLESS STATED		DECIMAL ±.015 ANGULAR ±1° SURFACE TEXTURE		DIMENSIONS IN INCHES UNLESS OTHERWISE STATED. METRIC DIMENSIONS IN PARENTHESES. TOLERANCES FOR ALL BORES AND SHIMPS EDGES.		ADDED 3/32" COUNTERSUNK SIZES		FAMILY DRAWING CREATED	
Industrial Rivet & Fastener Co.		200 PARTS AVENUE NORTHVALE, NJ, 07647 TEL: (201) 750 1040 info@rivet.com		CORRECTED BODY & HTS		CORRECTED BODY & HTS		SHEAR/TENSILE REVISIONS TO TYP.	
DRAWING NUMBER:		DZ SERIES - XDZ/XCZ		REVISION:		REV		DATE	
DATE: 7-9-18		DATE: 11-14-17		DATE: 1-13-2016		DATE: 11-24-2009		DATE: 12-30-08	
DATE: 9-22-04		DATE: 2-1-04		DATE:		DATE:		DATE:	



**Industrial Rivet & Fastener Co.**

200 PARTS AVENUE  
NORTHVALE, NJ, 07647  
TEL: (201) 750 1040  
info@rivet.com

**ZIPRIV® QUICKRIVETING SYS.  
DOME & COUNTERSUNK HEAD**

ORIGINAL SHEET SIZE 8.5" X 11"

**DZ SERIES - XDZ/XCZ**