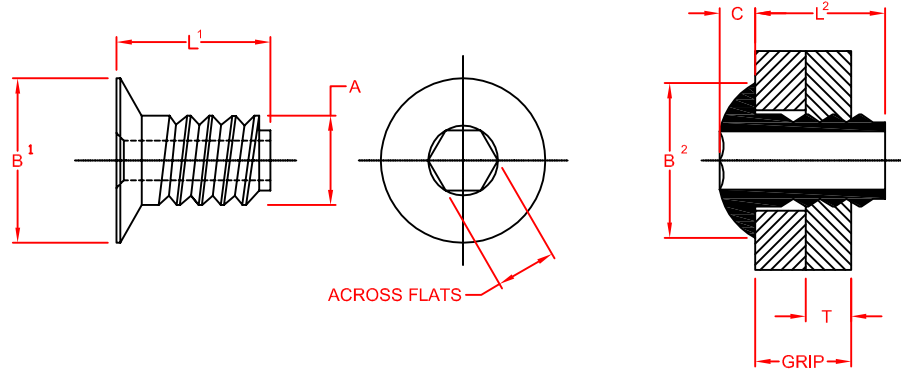
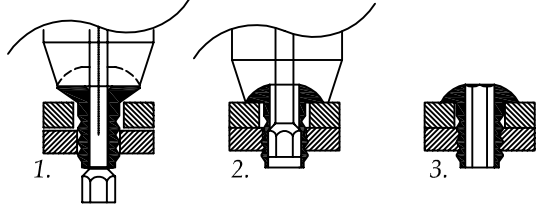


# RIVETKING ZIPSCREW® QUICKRIVETING SYSTEM

TS-16949 PRODUCED, ROHS COMPLIANT

INSTALLATION SEQUENCE



NOM. Ø	PART#	GRIP	PCS /POD	L1	L2	A	B1	B2	C	T			HEX KEY SIZE	SHEAR	TENSILE		
				LENGTH	FINISHED LENGTH	BODY Ø	HEAD Ø	INSTALLED HEAD Ø	INSTALLED HEAD HT.	FRONT SHEET		REAR SHEET				REAR SHEET	
				MAX.	MAX.	MAX.	MAX.	MAX.	MAX.	HOLE Ø	HOLE Ø	THICKNESS					
2.8	SDZR-2806	.112	62	.202	.157	.1023	.230	.240	.055	.116	.119	.103	.106	.064	1/16"	202	157
	SDZR-2807	.151	52	.241	.196												
	SDZR-2809	.190	43	.280	.235												
	SDZR-2810	.229	38	.319	.274												
	SDZR-2812	.307	30	.397	.352												
3.0	SDZR-3006	.112	62	.202	.157	.1107	.230	.240	.055	.121	.124	.111	.114	.064	1/16"	202	180
	SDZR-3007	.151	52	.241	.196												
	SDZR-3009	.190	43	.280	.235												
	SDZR-3010	.229	38	.319	.274												
	SDZR-3011	.268	34	.359	.314												
	SDZR-3012	.307	30	.397	.352												
	SDZR-3016	.422	23	.515	.467												
3.5	SDZR-3506	.112	62	.202	.157	.1215	.235	.240	.055	.138	.141	.122	.125	.064	5/64"	225	225
	SDZR-3507	.151	52	.241	.196												
	SDZR-3509	.190	43	.280	.235												
	SDZR-3510	.229	38	.319	.274												
	SDZR-3511	.268	34	.359	.314												
	SDZR-3512	.307	30	.397	.352												
	SDZR-3517	.433	21	.553	.508												
4.0	SDZR-4006	.112	62	.202	.157	.1415	.245	.250	.055	.165	.168	.142	.145	.064	2.5 mm	292	270
	SDZR-4007	.151	52	.241	.196												
	SDZR-4009	.190	43	.280	.235												
	SDZR-4010	.229	38	.319	.274												
	SDZR-4011	.268	34	.359	.314												
	SDZR-4012	.307	30	.397	.352												
	SDZR-4015	.385	25	.475	.430												

DRAWN: SBS		CHECKED: AV		SHEET 1 OF 1	
<b>ZIPSCREW®</b> <b>QUICKRIVETING SYSTEM</b>					
DIMENSIONS IN INCHES UNLESS OTHERWISE STATED, METRIC DIMENSIONS IN PARENTHESES UNLESS OTHERWISE STATED. DIMENSIONS ARE ALL BORES AND SHARP EDGES.				ORIGINAL SHEET SIZE 8.5" X 11"	
<b>Industrial Rivet &amp; Fastener Co.</b>		<b>RIVET KING®</b>		200 PARTS AVENUE NORTHVALE, NJ, 07647 TEL: (201) 750 1040 info@rivet.com	
DRAWING NUMBER:		SDZR SERIES		REV: B	
SURFACE TREATMENT:		STEEL: ZINC PLATED Cr3+ ROHS & WAX ALL OTHERS: CLEAN & WAX			
HEAT TREATMENT:		PROPRIETARY			
MATERIAL:		C1006-1010 LOW CARBON STEEL			
PROCESSING MTL COLD COLD RCPT FORM1 FORM2 THREAD FIN- WAX- FIN- POD FQC ISH- ING- ISH- ASS'LY PACK					
REVISION:		REVISION:		REVISION:	
B		B		B	
REV		DESCRIPTION		DATE	
B		REDRAWN FROM PAPER		4-25-2012	