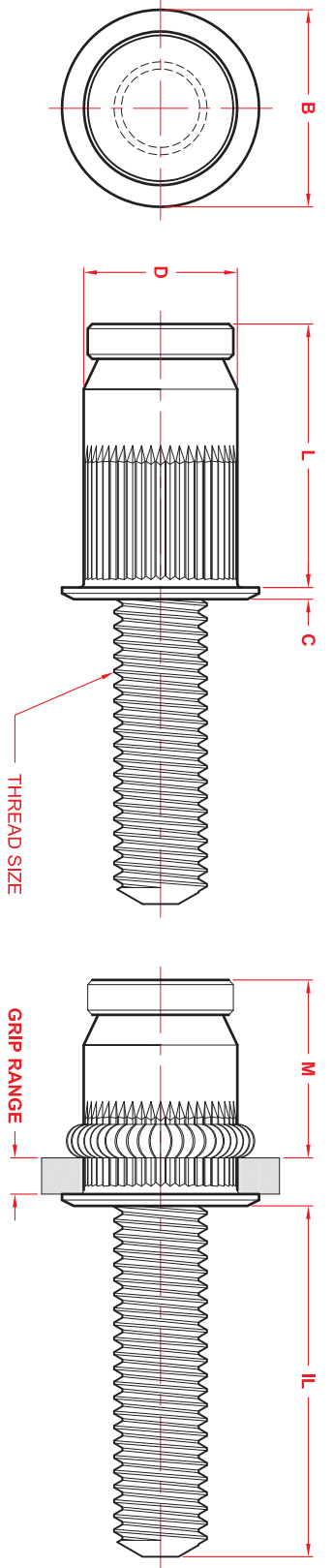


RIVETKING® IKS SERIES™ - ROUND KNURLED BODY, LOW PROFILE HEAD, THIN WALL RIVET STUD



PART NUMBER EXAMPLE = 25C1IKSSV / .625 (PART CODE + MATERIAL + FINISH / STUD LENGTH)

THREAD SIZE	PART CODE	GRIP RANGE	L		B	C	D	M	IL		HOLE SIZE IN SHEET	
			MIN - MAX	±.020					HEAD DIA ±.010, ±.025*	HEAD HEIGHT ±.003		BODY DIA MAX
#6-32	6C2IKS	.020 - .080	.485	.390	.390	.030	.265	.360	.500	.625	.750	.266
#6-32	6C2IKS	.080 - .130	.535	.390	.390	.030	.265	.360	.450	.575	.700	.266
#8-32	8C2IKS	.020 - .080	.485	.390	.390	.030	.265	.360	.500	.625	.750	.266
#8-32	8C2IKS	.080 - .130	.535	.390	.390	.030	.265	.360	.450	.575	.700	.266
#10-32	10F2IKS	.020 - .130	.545	.415	.415	.030	.296	.380	.500	.625	.750	.297
#10-32	10F2IKS	.130 - .225	.655	.415	.415	.030	.296	.380	.405	.530	.655	.297
1/4-20	25C2IKS	.027 - .165	.670	.500	.500	.030	.390	.465	.625	.813	1.000	.391
1/4-20	25C2IKS	.165 - .260	.770	.500	.500	.030	.390	.465	.530	.718	.905	.391
5/16-18	31C2IKS	.027 - .150	.810	.685*	.685*	.035	.530	.600	.625	.875	1.125	.531
5/16-18	31C2IKS	.150 - .312	.925	.685*	.685*	.035	.530	.555	.463	.713	.963	.531
3/8-16	37C2IKS	.027 - .150	.810	.685*	.685*	.035	.530	.600	.750	1.000	1.250	.531
3/8-16	37C2IKS	.150 - .312	.925	.685*	.685*	.035	.530	.535	.588	.838	1.088	.531

METRIC DIMENSIONS - RIVET NUT SPECIFICATIONS

THREAD SIZE	PART CODE	GRIP RANGE	L		B	C	D	M	IL		HOLE SIZE IN SHEET	
			MIN - MAX	±0.50					HEAD DIA ±0.25, ±0.64*	HEAD HEIGHT ±0.08		BODY DIA MAX
M4x0.7	.40C2IKS	0.5 - 2.0	12.32	9.91	9.91	0.76	6.73	9.15	12.0	15.0	20.0	6.75
M4x0.7	.40C2IKS	2.0 - 3.3	13.59	9.91	9.91	0.76	6.73	9.15	10.7	13.7	18.7	6.75
M5x0.8	.50C2IKS	0.5 - 3.3	13.84	10.54	10.54	0.76	7.52	9.65	12.0	15.0	20.0	7.60
M5x0.8	.50C2IKS	3.3 - 5.7	16.64	10.54	10.54	0.76	7.52	9.65	9.6	12.6	17.6	7.60
M6x1.0	.60C2IKS	0.7 - 4.2	17.02	12.70	12.70	0.76	9.91	11.81	15.0	20.0	25.0	10.00
M6x1.0	.60C2IKS	4.2 - 6.6	19.56	12.70	12.70	0.76	9.91	11.81	12.6	17.6	22.6	10.00
M8x1.25	.80C2IKS	0.7 - 3.8	20.57	17.40*	17.40*	0.89	13.46	16.0	15.24	22.0	28.0	13.50
M8x1.25	.80C2IKS	3.8 - 7.9	23.50	17.40*	17.40*	0.89	13.46	14.10	11.9	17.9	23.9	13.50
M10x1.50	.100C2IKS	0.7 - 3.8	20.57	17.40*	17.40*	0.89	13.46	15.24	20.0	25.0	30.0	13.50
M10x1.50	.100C2IKS	3.8 - 7.9	23.50	17.40*	17.40*	0.89	13.46	13.60	15.9	20.9	25.9	13.50

COMPATIBILITY - THIS DRAWING AND THE INFORMATION IT CONTAINS ARE THE SOLE PROPERTY OF INDUSTRIAL RIVET & FASTENER CO. THIS DRAWING IS USED AS A SELLING AND/OR MANUFACTURING DEVICE WHICH MAY CONTAIN INFORMATION THAT IS PATENTED OR TRADEMARKED BY THE INDUSTRIAL RIVET & FASTENER CO. REPRODUCTION OR DISCUSSURE BY ANYONE, OF ANY PART OF THIS DRAWING OR INFORMATION THEREON OR THE USE THEREOF FOR ANY OTHER PURPOSES WITHOUT WRITTEN PERMISSION OF INDUSTRIAL RIVET & FASTENER CO. IS STRICTLY PROHIBITED.

CONTINUOUS IMPROVEMENT - INDUSTRIAL RIVET & FASTENER CO. HAS CONTINUOUS IMPROVEMENT POLICIES/PROCEDURES IN PLACE AND THEREFORE RESERVES THE RIGHT TO CORRECT, CHANGE OR IMPROVE PRODUCTS AND/OR SPECIFICATIONS WITHOUT NOTICE, UNLESS DESIGNATED BY AN S-XXXXX MARKING OTHER DRAWINGS AND/OR PRODUCTS IS STRICTLY PROHIBITED WITHOUT WRITTEN PERMISSION OF INDUSTRIAL RIVET & FASTENER CO.

REV	DESCRIPTION	DATE
E	Dwg revised/updated, and corrections made	6.09.26
D	Correction: M5 Grip Ranges C1 was 0.5-2.0; C2 was 2.0-3.3	2.26.26
C	Thread Correction: M10x1.50 was M10x1.75	7.11.25
B	'IL' was NOM	5.06.25
A	Dwg Desc revised, Cad finish nomenclature revised, Matl was L/C Steel, Dim nomenclature revised	4.18.25
-	Drawing Released	8.14.24

MATERIAL & FINISH SPEC'S	HEAT TREAT
MATL: RIVET NUT: S = STEEL, LOW CARBON 6%-10% THREADED STUD: CARBON STEEL	RIVET NUT - S/R THREADED STUD - HEAT TREATED
SURF FINISH: Y = ZINC YELLOW ROHS Z = ZINC CLEAR ROHS C = CAD YELLOW PLATED ZN = ZINC NICKEL	

PROCESSING:
<input type="checkbox"/> MTL RCPT <input type="checkbox"/> ANGLE <input type="checkbox"/> FINISH <input type="checkbox"/> TAPPING <input type="checkbox"/> COLD FORM <input type="checkbox"/> S/R <input type="checkbox"/> ASSTV <input type="checkbox"/> FQC <input type="checkbox"/> PACK

APPROVED: (rev,d1)
xx/xx.xx.xx

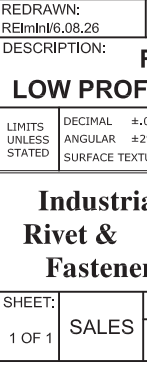
APPROVED:
RK/6.09.26

APPROVED:
RE/6.09.26

REDRAWN:
RE/6.08.26

DESCRIPTION: **ROUND KNURLED BODY, LOW PROFILE HEAD, THIN WALL RIVET STUD**

LIMITS UNLESS STATED	DECIMAL	ANGULAR	SURFACE TEXTURE
	±.015	±2°	RA 1.6



35 MAPLE STREET
NORWOOD, NJ, 07648
TEL: (201) 750 1040
Info@rivet.com

SHEET:	PART#	AS NOTED ON CHART	REV:
1 OF 1	SALES		E

DWG#	IKS SERIES